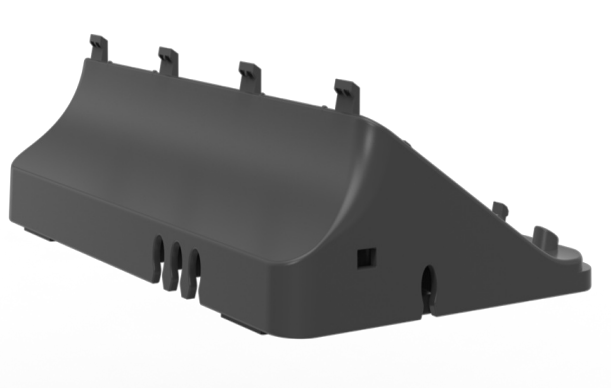


CTP25 Mount Kits

Introduction

The Mount Kits are respectively used for CTP25 deployment:

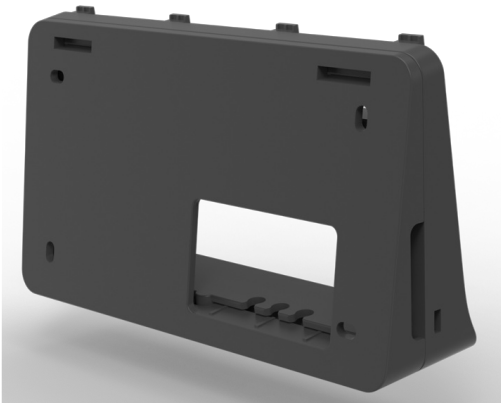
1. Desk Stand (Low/High): place on the table
2. Wall Mount: mount on a wall
3. Table Lock Kit: mount on the table



Desk Stand(Low)



Desk Stand(High)



Wall-Mounted



Table Lock Kit

Specification

Parameter	Description
-----------	-------------

Physical Feature	Dimension (W* D* H): - Desk Stand (Low): 175*130*35 mm - Desk Stand (High): 171.5*100*85 mm - Wall-Mounted: 171.5*103.5*45 mm - Table Lock Kit: 166*86.8*72 mm Carton Meas: 515*310*210 mm N.W/CTN: 4.32kg G.W/CTN: 4.986kg
------------------	--

Device Compatibility

The Mount Kits supported by the device are as follows:

Device Name	Mount Kits
CTP25	√

Mounts Compatibility Lists please refer to [Mounts Compatibility Lists](#).

How to Use

refer to [CTP25](#).