

# RCLDR-DS550-6U-A

## Double Section Wall Mount Cabinet



### Description

Designed to house rack mount equipment for cabling, telecommunications, IT, industrial and home installations, RCLDR-DS550-6U-A series is supplied assembled-packed, which eases access to the installation site while reducing logistics costs and providing greater protection during transit.

- Toughened glass front door
- Reliable and rigid construction ensure max 60KG static loading capacity

RCLDR-DS550-6U-A series wall mounted cabinet is of perfect structure, and extremely easy for assembling.

### Key Features

#### Top Cover with Fans (Optional)

- 120mm\*120mm fans can be preinstalled on the top cover

#### Removable Side Panel

- Removable side panel simplifies your installation of accessories and monitoring of IT Equipment

#### Reinforcing Triangle Metal in the Corner

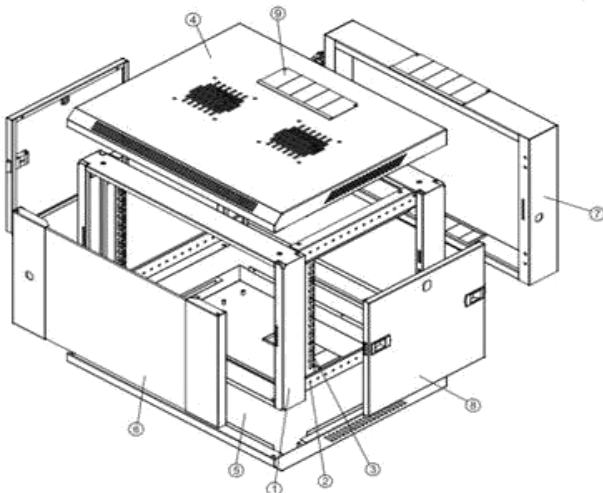
- Reinforcing triangle metal in each corner to make the structure of the rack more solid

#### Easy Cable Entry

- Cable entry on both of top cover and bottom panel
- Back side with easily punched cable entries

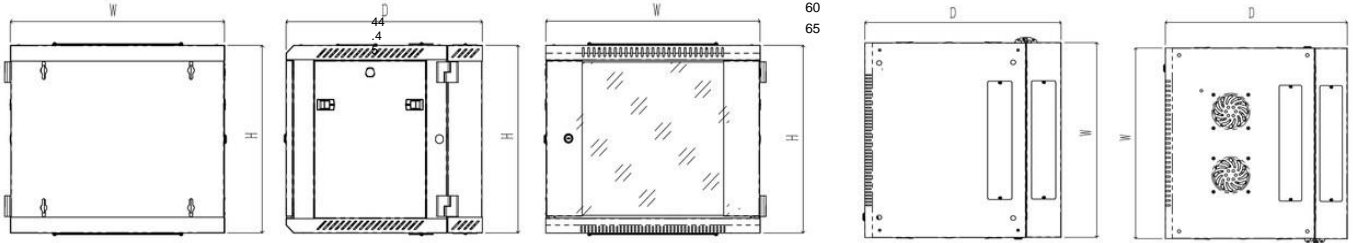
### WB-DS Series Cabinet - Components

### Wall Mounted Cabinet(Double Section)

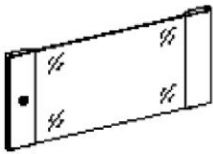


S/N	Specification	Quantity
1	Frame	2
2	Horizontal bracket	4
3	Vertical rail	4
4	Top cover	1
5	Bottom panel	1
6	Front door	1
7	Rear swing frame	1
8	Side panel	2
9	Cable entry	1

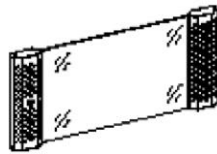
## Main Dimension



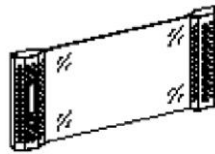
## Optional Doors



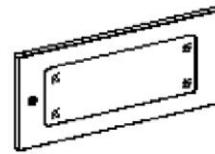
**Door:** Tempered glass  
**Lock:** Small Round



**Door:** Tempered glass with vented holes  
**Lock:** Small Round



**Door:** Tempered glass with vented holes  
**Lock:** Spring



**Door:** Tempered glass  
**Lock:** Small Round



**Door:** Solid Iron  
**Lock:** Small Round

## Part Number Builder

Part Number Example		Description						
RCLDR-DS5506U-A								
<b>W</b>	<b>B</b>	<b>D</b>	<b>S</b>	<b>6</b>	<b>5</b>	<b>09</b>	<b>0</b>	<b>B</b>
			Product Code	600mm (W)	550mm (D)	06U Capacity	Door Style	Color

## Specification

Part Number	Capacity (U)	Width	Depth	Assembled Height	Box Dimension
RCLDR-DS6506U-A	6	600 mm	550 mm	360 mm	620x530x380mm

**Note:** Hardware: 10 sets cage nuts, B for Black, G for Grey

## Optional Accessories

- Fixed Shelf
- Sliding Shelf
- Cable Management
- Cooling Solution
- Air Flow Management
- PDU

The dimensions and specifications in this document are for reference purposes only and are subject to change without notice.

Consult [www.leadersystems.com.au](http://www.leadersystems.com.au) for the latest dimensions and design specifications.

