

Outdoor solar PoE switch

(8*10/100/1000M PoE ports +2*1000M SFP ports)

User manual

Ver. 1.0

Overview

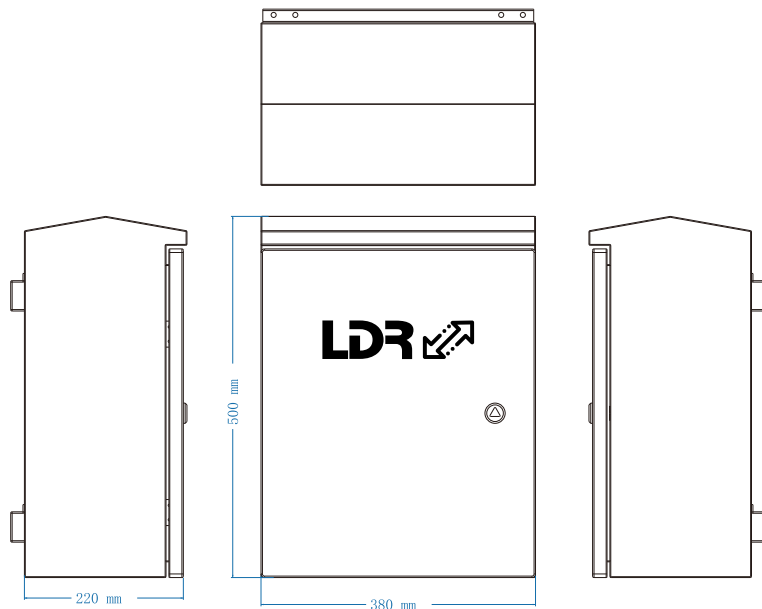
It is an outdoor solar PoE switch, powered by solar battery, with MPPT controller, storage battery, PoE switch, circuit-breaker, surge arrester, cooling fan inside.

It can be applied for surveillance monitoring, forest monitoring, etc.

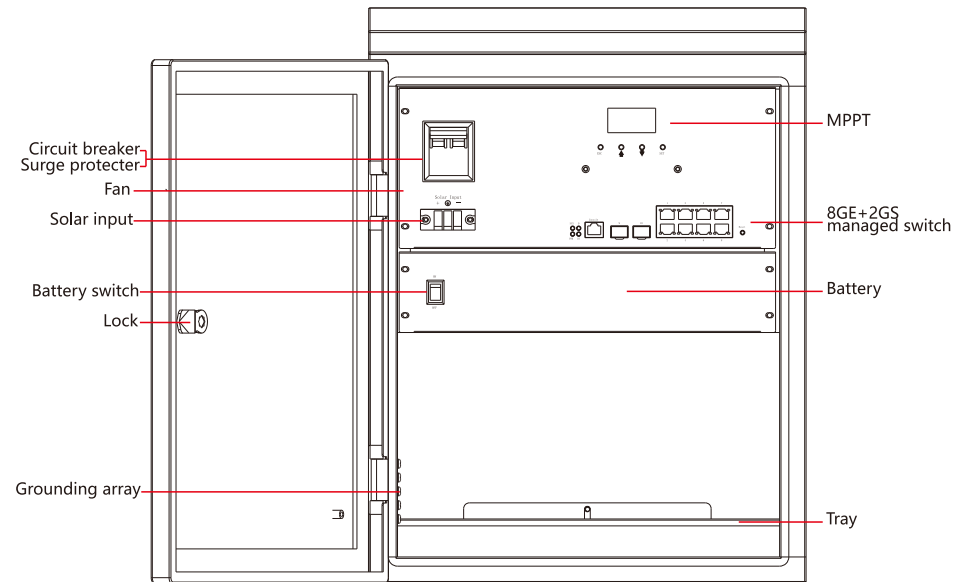
Feature

- Solar power input, input 60~150VDC;
- With 8*10/100/1000M PoE downlink ports and 2*1000M SFP ports, with L2 network management;
- With MPPT controller, connected the solar battery and charge the storage battery
- With storage battery, lithium iron phosphate battery.
- The box adopts waterproof , anti-rust treatment, suitable for long time outdoor use.

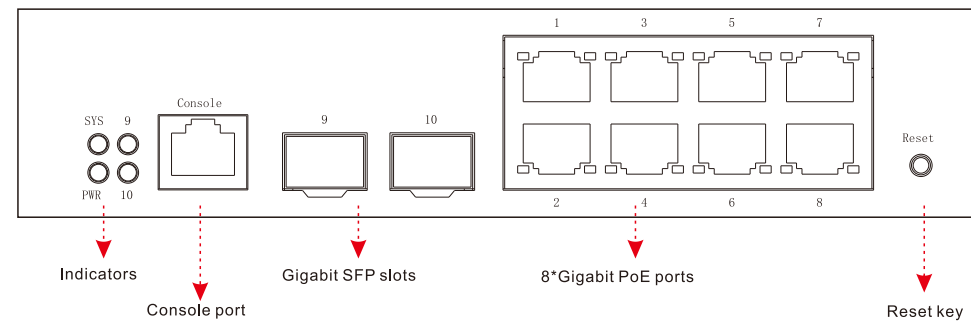
Application



Panel diagram



Structure dimension



Package list

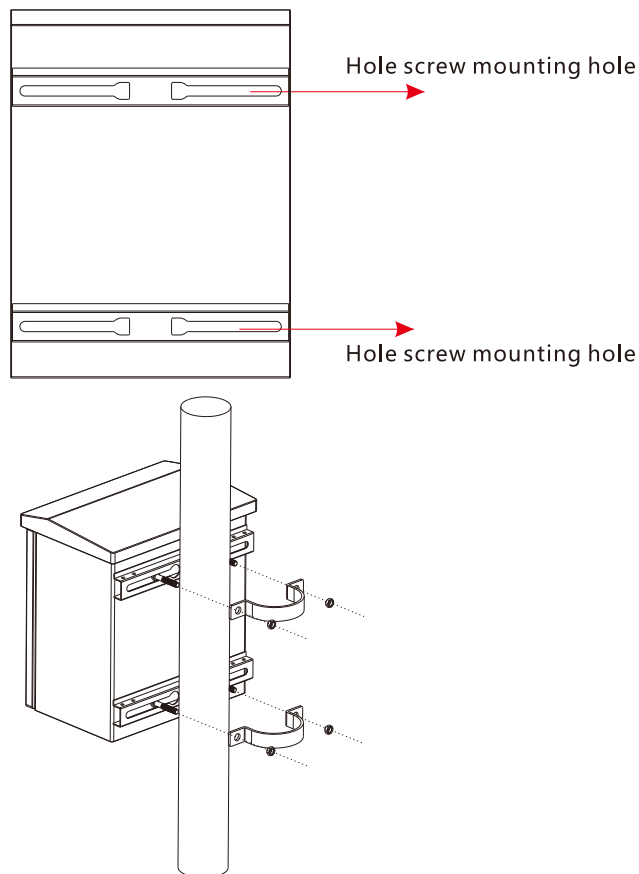
Please check the following items before installation, if any missing, please contact your local dealer.

| | |
|--------------------------|------|
| Outdoor solar PoE switch | 1pc |
| User manual | 1pc |
| Installation accessory | 1set |

Installation

Installation guide

If you need to hold the pole to install, as shown in the figure below, install the two holding holes through the pole to the rear slot; Then tighten the mounting screws to the pole to fix it.



Specification

| Item | | |
|-------------------|--------------------------|--|
| Power | Solar input | Solar battery input, 60~150VDC |
| PoE switch | Switch parameter | 1~8 ports: 10/100/1000Base-T 30W PoE RJ45(IEEE802.3af/at) 9~10 ports: 1000M SFP slots |
| | PoE ports | Ports 1~8 support IEEE802.3af/at, end-span, 30W per port Max. |
| | Switch fabric | 20Gbps |
| | Switch Throughput | 14.88Mpps |
| | Switch Buffer | 4M |
| | Switch MAC address table | 8K |
| Switch Indicator | Power | 1 *red |
| | Uplink 9~10 | Green LEDs indicate Link/Act |
| | Downlink 1~8 | Green LEDs indicate Link/Act, yellow LEDs indicate PoE |
| Switch Protection | Surge | 6KV, standard: IEC61000-4-5 |
| | ESD | 6KV: contact / 8KV: air, standard: IEC61000-4-2 |
| Cooling fan | Cooling fan | 1pc |
| Storage battery | Battery type | Ternary lithium battery |
| | Rated voltage | 48V, 7.5AH |
| MPPT controller | System voltage | 12V/24V/36V/48V/Auto |
| | Solar input voltage | <150V DC |
| | Battery type | lead battery and li battery |
| | MPPT efficiency | >99% |
| | Rated charging current | 40A |
| Environment | Working temperature | 0°C~55°C |
| | Storage temperature | -40°C~85°C |
| | Humidity | 0~90%(No condensation) |
| Structure | Dimension(L×W×H) | 380mm×220mm×500mm |
| | Material | Metal SGCC |
| | Colour | White |
| | Net-weight | 15KG |