

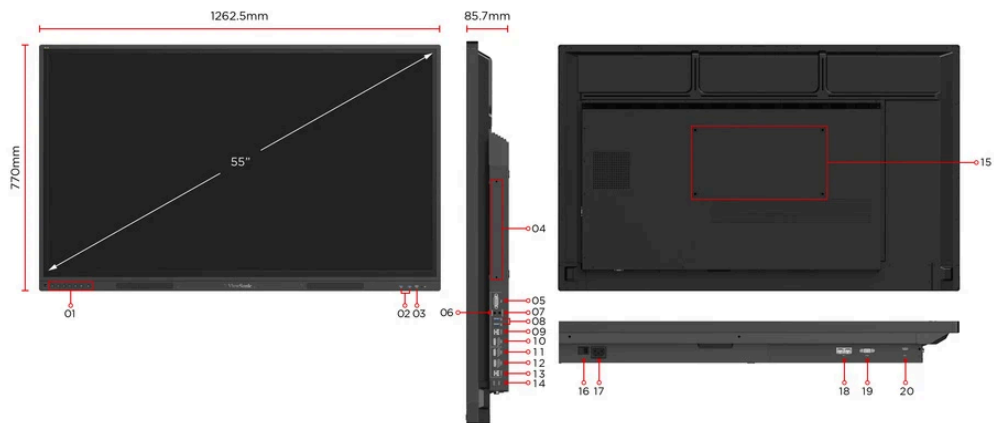
Key Features

- Bring Your Own Device interactive display for versatile use in any scenario
- Upgradable framework for enhanced versatility and prolonged longevity
- Seamless USB-C plug-and-play connectivity with 65W power charging for convenient presentations
- Flexible integration with slot-in PCs, supporting Windows, Linux, and EDLA



Product Description

Transform teamwork and efficiency with the ViewBoard IFPG1 Series of Bring Your Own Device interactive displays. Boasting an upgradable framework, this series ensures versatility by seamlessly integrating with slot-in PCs across EDLA, Windows, and Linux operating systems. Through these integrations, it enables access to Google Workspace and Microsoft 365 productivity suites to elevate workspace dynamics. This versatility extends to its USB-C plug-and-play connectivity, enabling instant and fluid presentations from connected devices, regardless of their platform. Prioritizing productivity and peace of mind, the series emphasizes data security, ensuring sensitive information remains securely stored on connected devices for workflows that are truly safe and efficient.



1. Menu Controls
2. USB 3.0 X 2
3. USB 2.0
4. OPS Slot
5. VGA
6. Audio In
7. Audio Out

8. USB 3.0 X 2
9. Touch 1
10. HDMI 1
11. HDMI 2
12. HDMI 3
13. Touch 2
14. USB Type-C

15. VESA® Wall Mount 400 x 200mm
16. Power On/OFF
17. AC IN
18. LAN
19. RS232
20. USB 2.0(FW update)

DISPLAY

Panel Size:	55"
Panel Type:	TFT LCD Module with DLED Backlight
Display Area (mm):	1209.6(H) x 680.4 (V)
Aspect Ratio:	16:9
Resolution:	UHD 3840x2160
Colors:	1.07B colors (8bit+FRC)
Brightness:	350 nits (typ.)
Contrast Ratio:	1200:1 (typ.) 6000:1 (DCR)
Response Time:	8ms
Viewing Angles:	H = 178, V = 178 typ.
Backlight Life:	50,000 hours (Min)
Surface Treatment:	Hardness: 9H, Anti-glare coating
Bezel:	Slim
Orientation:	Landscape

TOUCH

Type/ Tech:	Ultra Fine Touch Technology (IR Recognition)
Touch Resolution:	32767 × 32767
Touch Point:	Windows: 40 points of touch, Android : 20 points of touch

INPUT

HDMI:	Rear 2.0 x 3 (HDMI 1 & 3 Support CEC; HDMI 2 Supports CEC & ARC)
RGB / VGA:	x1
Audio:	x1
RS232:	x1
OPS:	x1

OUTPUT

Audio:	x1
--------	----

LAN

RJ45:	1 in 1 out
-------	------------

USB

Type A:	Front x3(USB2.0x1, USB3.0x2) Rear x3(USB3.0x2, 2.0 x1 for FW update)
Type B:	Rear x2 (USB 3.0x2)
Type C:	x1 (DP 1.2, Touch, Data Sharing, PD65W, Ethernet 10M/100M)

SPEAKERS

10W x 2

TOP CAMERA PLATE

Yes

COMPATIBILITY

HDMI:	3840x2160 @ 60Hz
-------	------------------

SPECIAL FEATURES

All-in-one USB port:	"SmartPort™ USB" to all channels.
Simple LAN sharing between IFP and slot-in device:	10/100/1000M (USB Type-C 10M/100M, OPS 1000M)
Light Sensor:	Yes

POWER

Voltage:	100-240VAC +/- 10% Wide Range
Consumption:	On:90.23W Off mode <0.5W

ERGONOMICS

Wall Mount (VESA®):	400mm x 200 mm
---------------------	----------------

OPERATING CONDITIONS

Temperature (° C):	0°C to 40°C
Humidity:	20% ~ 80% RH non-condensing

DIMENSIONS (W X H X D)

Physical (inch / mm):	49.7 x 30.3 x 3.37 in / 1262.5 x 770 x 85.7 mm
Packaging (inch / mm):	54.8 x 34.1 x 8.7 in / 1392 x 867 x 220 mm

WEIGHT

Net (lb / kg):	59.30lb/26.90kg
Gross (lb / kg):	78.04lb/35.40kg

REGULATIONS

US NRTL w/ CA,FCC/ICES003, DOE Energy Star,DOE EPEAT, CE EMC, LVD or CB, RoHS Green BOM & RoHS DoC, ErP, REACH SVHC List & DoC, EEL, WEEE,GOST-R / EAC, FF,LBL, ErP-Eco,SCIP,Annex I,Annex II,TPCH DoC,Packing waste,CA65 DoC

PACKAGE CONTENTS

1. 3m power cable
2. HDMI 2.0 cable 3m x 1 (HDMI LA certified)
3. Remote control with AAA battery (Opt.)
4. 3m USB 2.0 touch cable x 1
5. Touch pen (Passive pen) x 2 (VB-PEN-002)
6. Quick Start Guide + Compliance Statement
7. RS232 adapter
8. Screw (wall mount 4)
9. Camera Plate

COMPATIBLE SLOT-IN PC

Configurable OS, Windows, Google EDLA ; VPC-A31-O1/VPC33 series/VPC35 series/VPC37 series